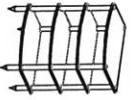



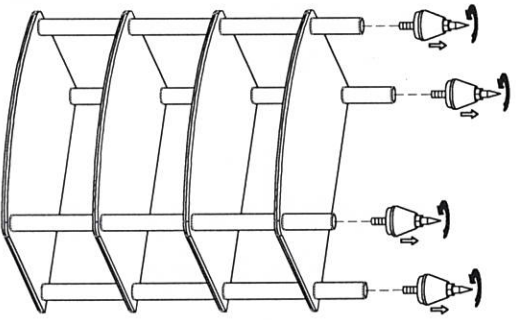


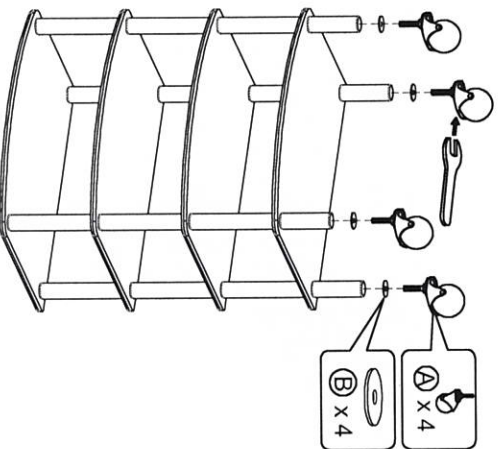
CASTERS

NO.	DESCRIPTION	QTY
		1
A	M8*62 	4
B	∅ 38*2 	4
C		1

STEP 1



STEP 2



STEP 3

