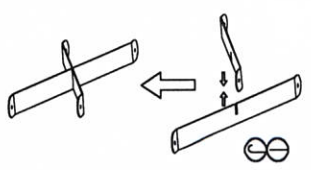
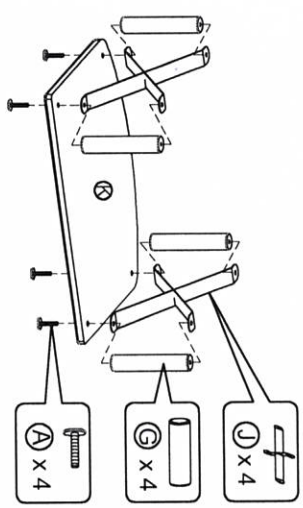


Pangea Audio Vulcan X-Brace Audio Rack

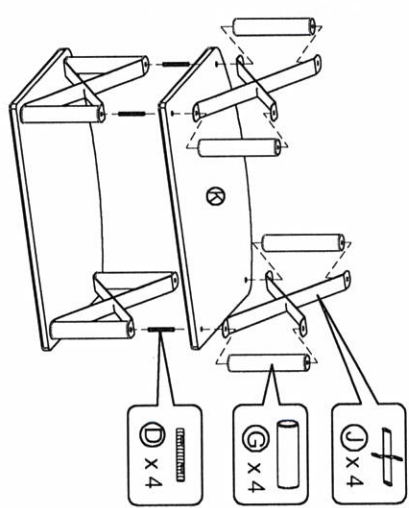
STEP 1



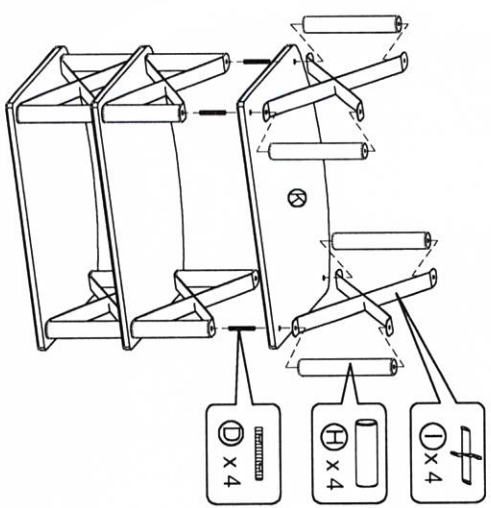
STEP 2



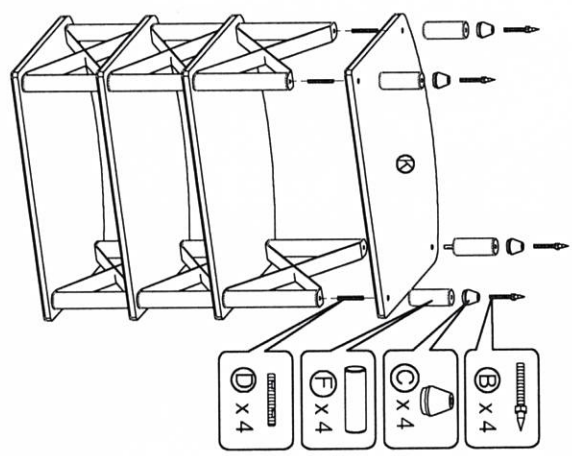
STEP 3



STEP 4



STEP 5



NO.	DESCRIPTION	QTY
A	M8*40	4
B	M8*85	4
C	∅38*30	4
D	M8*67	12
E	3T*18mm	4
F	L=96	4
G	L=184	8
H	L=223	4
I		4
J		8
K	T=19mm	4

