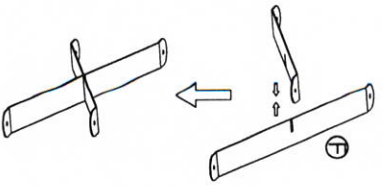
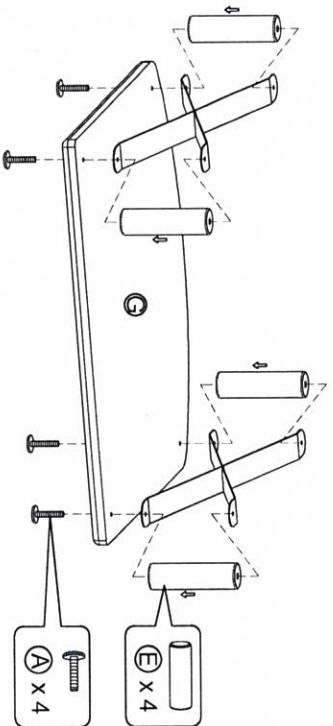


# VULCAN X AMP STAND

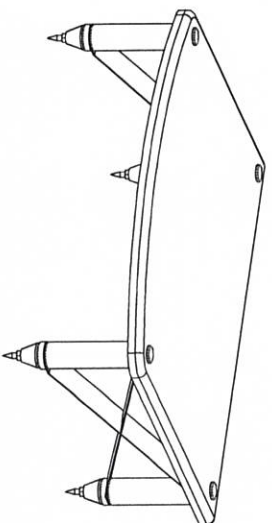
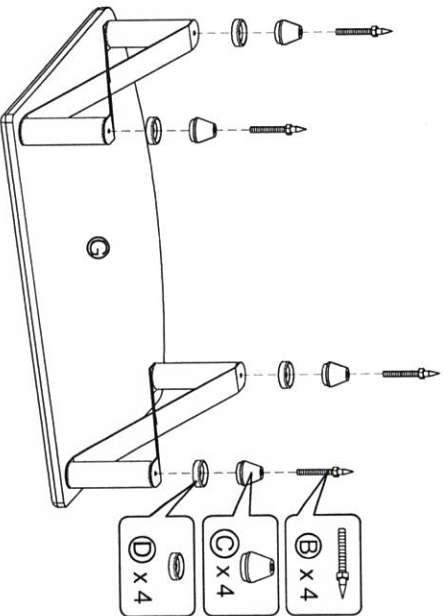
STEP 1

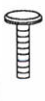








STEP 2



STEP 3



NO.	DESCRIPTION	QTY
A	M8*46 	4
B	M8*82 	4
C	∅ 38*30 	4
D	∅ 35*6 	4
E	L=127 	4
F		4
G	T=21mm 	1