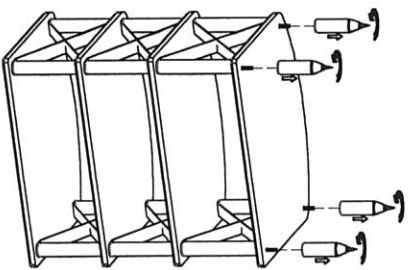
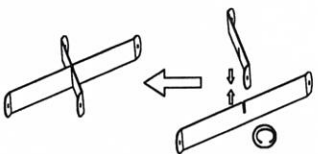


VULCAN X 19MM ADD ON SHELF

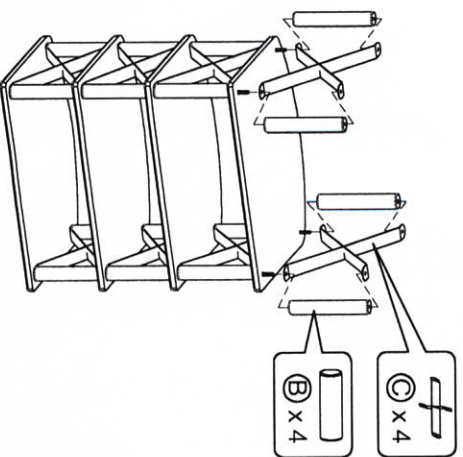
STEP 1



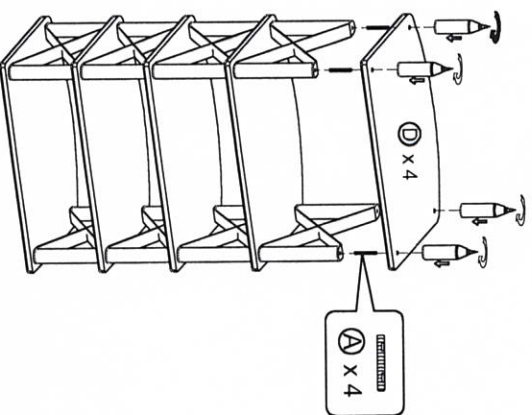
STEP 2



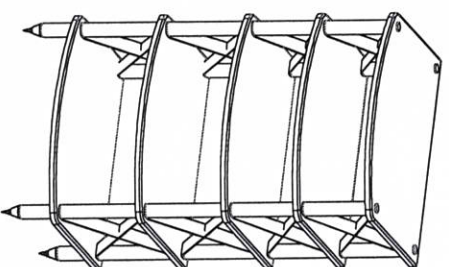
STEP 3



STEP 4



STEP 5



NO.	DESCRIPTION	QTY
A	M8*67	4
B	L=184	4
C		4
D	T=19mm	1