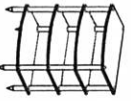

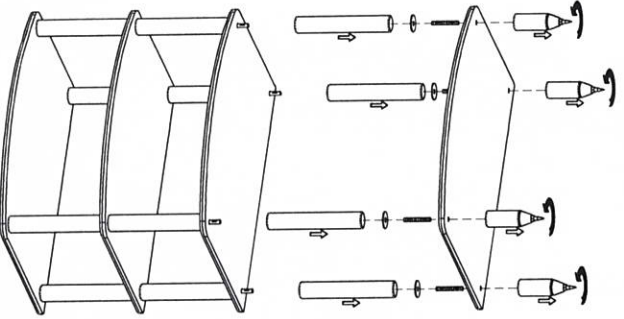


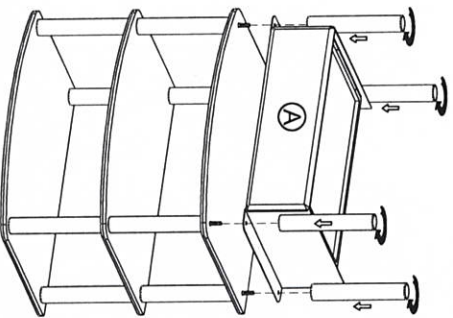
# VULCAN DRAWER

NO.	DESCRIPTION	QTY
		1
A		1

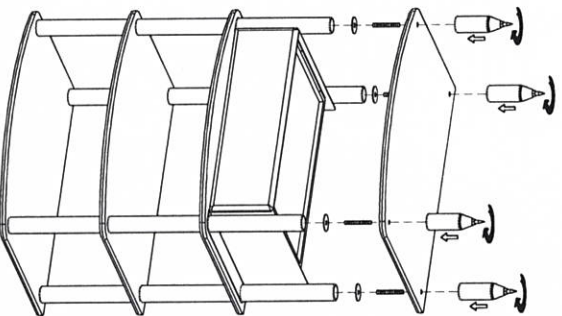
STEP 1



STEP 2



STEP 3



STEP 4

