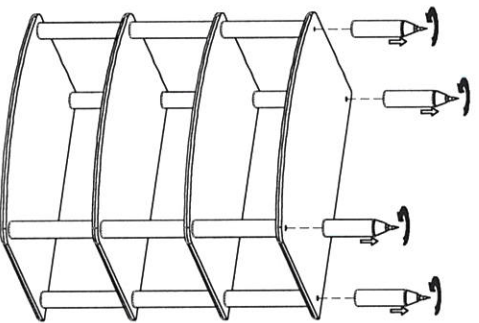
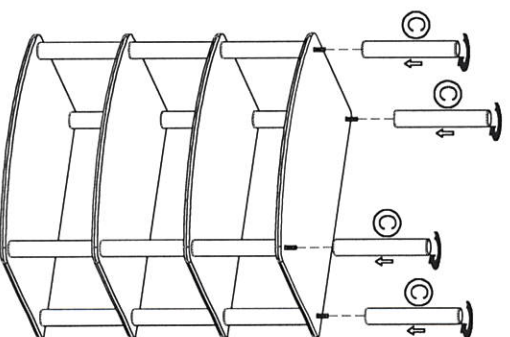


# Vulcan Add-On Shelf

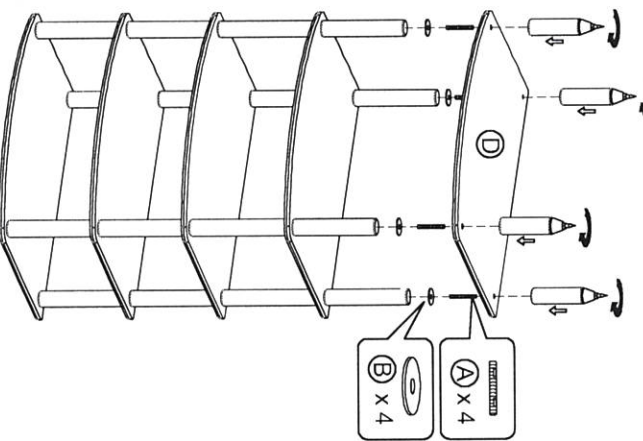
STEP 1



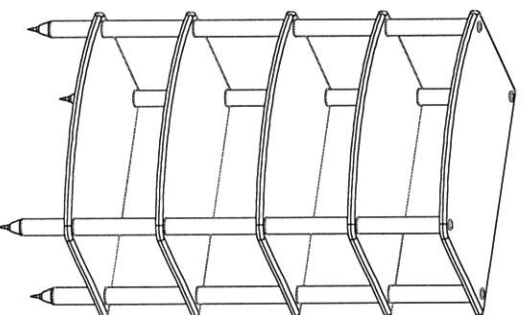
STEP 2

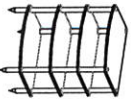






STEP 3



STEP 4



NO.	DESCRIPTION	QTY
		1
A	M8*62 	4
B	∅39*2 	4
C	L=178 	4
D	T=15mm 	1