

K1

USER GUIDE

Maximum ease of use



K-ARRAY
Unique Audio Solutions

Index

Unpacking	4
Wiring	4
Bluetooth Pairing	4
Audio Player Connectivity and Controls	5
Controls	5
Setup	6
Installation	6
Service	6
Cleaning	6
Technical Specifications	7
Mechanical Views	8

IMPORTANT SAFETY INSTRUCTIONS

Read these instructions - Keep these instructions
Heed all warnings



Warning. Failure to follow these safety instructions could result in fire, shock or other injury or damage to the device or other property.

Installation and commissioning may only be carried out
by qualified and authorized personnel.



Switch-off the mains power supply before carrying out
any connection or maintenance operations.

Symbols



K-array declares that this device is in compliance with applicable CE standards and regulations. Before putting the device into operation, please observe the respective country-specific regulations!



WEEE
Please dispose of this product at the end of its operational lifetime by bringing it to your local collection point or recycling center for such equipment.



This symbol alerts the user to the presence of recommendations about the product's use and maintenance.



The lightning flash with arrowhead symbol within an equilateral triangle is intended to alert the user to the presence of uninsulated, dangerous voltage within the product enclosure that may be of magnitude to constitute a risk of electrical shock.



This device complies with Restriction of Hazardous Substances Directive.

General heed and warnings

- Read these instructions.
- Keep this instructions.
- Heed all warnings.
- Follow all instructions.
- Do not use this apparatus near water.
- Clean only with dry cloth.
- Do not block any ventilation openings. Install in accordance with the manufacturer's instructions.
- Do not install near any heat sources such as radiators, heat registers, stoves, or other apparatus (including amplifiers) that produce heat.
- Only use attachments/accessories specified by the manufacturer.
- Use only with the cart, stand, tripod, bracket, or table specified by the manufacturer, or sold with the apparatus. When a cart is used, use caution when moving the cart/ apparatus combination to avoid injury from tip-over.
- Unplug this apparatus during lightning storms or when unused for long periods of time.
- Beware of sound levels. Do not stay within close proximity of loudspeakers in operation. Loudspeaker systems are capable of producing very high sound pressure levels (SPL) which can instantaneously lead to permanent hearing damage. Hearing damage can also occur at moderate level with prolonged exposure to sound. Check the applicable laws and regulations relating to maximum sound levels and exposure times.
- Before connecting the loudspeakers to other devices, turn off the power for all devices.
- Before turning the power on or off for all devices, set all volume levels to minimum.
- Use only speaker cables for connecting speakers to the speaker terminals.
- The power amplifier speaker terminals shall be connected to the loudspeakers provided in the package only.
- Refer all servicing to qualified service personnel. Servicing is required when the apparatus has been damaged in any way, such as power-supply cord or plug is damaged, liquid has been spilled or objects have fallen into the apparatus, the apparatus has been exposed to rain or moisture, does not operate normally, or has been dropped.
- K-array will not shoulder any responsibilities for products modified without prior authorization.
- K-array cannot be held responsible for damage caused by improper use of the loudspeakers and amplifiers.



Thank you for choosing this K-array product!

To ensure proper operation, please carefully read this owner's manual and safety instruction before using the product. After reading this manual, be sure to keep it for future reference.

Should you have any questions about your new device please contact K-array customer service at support@k-array.com or contact the official K-array distributor in your country.

K1 is a professional audio system featuring easy-to-control, high performance technology designed to benefit the end user.

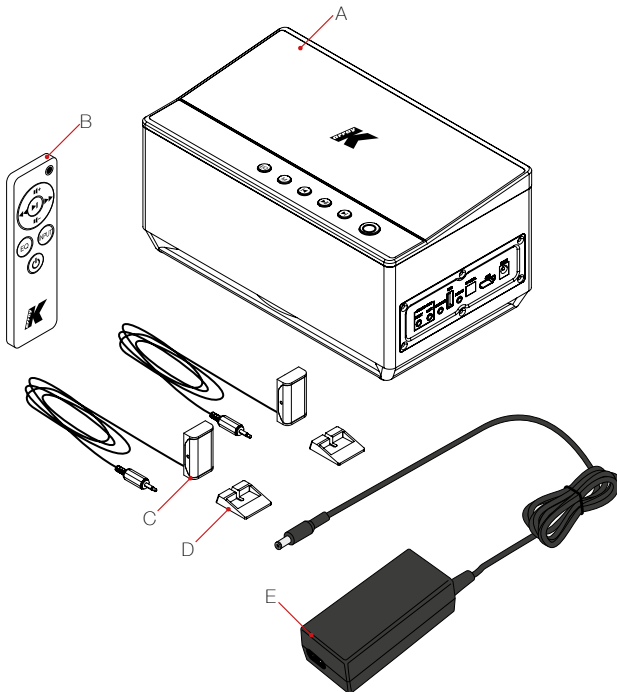
The K1 system includes two mid-high loudspeakers and an active subwoofer driven by a remote controllable audio player: a complete audio solution in a miniature package.

The K1 is designed for discreet use in a variety of intimate environments where high-quality background music is needed in a compact form, such as museums, small retail stores and hotel room.

Unpacking

Each K-array amplifier is built to the highest standard and thoroughly inspected before leaving the factory. Upon arrival, carefully inspect the shipping carton, then examine and test your new amplifier. If you find any damage, immediately notify the shipping company. Check that the following parts are supplied with the product.

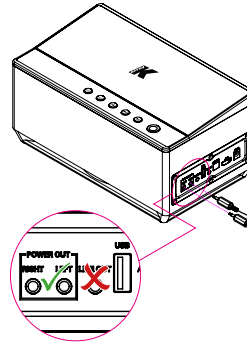
- A. 1x K1 Subwoofer with built-in amplifier and audio player
- B. 1x Remote control
- C. 2x Lyzard-KZ1 ultra miniaturized loudspeakers with cable and 3,5 mm jack plug
- D. 2x KZ1 table stands
- E. 1x Power supply unit



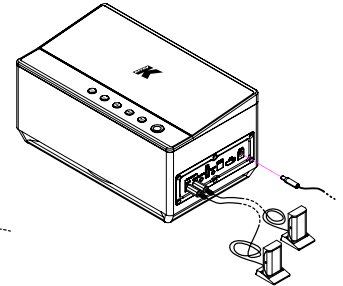
Wiring

Cables with proper terminal connectors are provided within the package. Before connecting the loudspeaker cables to the amplifier ensure that the system is switched off. Follow these instructions in order to set the connections.

- 1** Plug the loudspeaker to the POWER OUT ports



- 2** Plug the power supply to the DC IN port



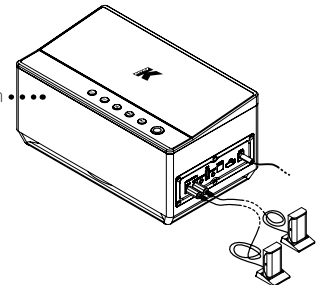
Bluetooth Pairing

- A** Activate Bluetooth



... 1 m ...

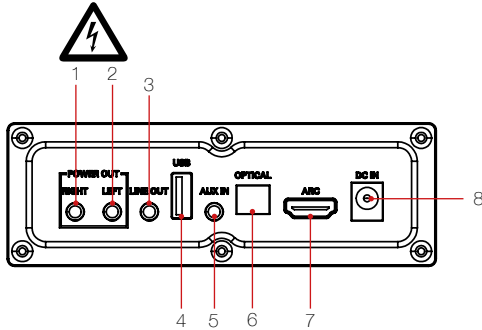
- B** Select K1



When turned on, the K1 will automatically connect to the last connected device if available; if not, the K1 will enter pairing mode.

Audio Player Connectivity and Controls

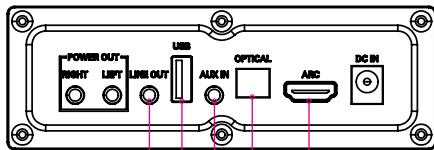
The K1 accurately reproduces audio from an array of source inputs including the Bluetooth connectivity.



- | | |
|-----------------------------|------------------------------|
| 1. RIGHT loudspeaker port | 5. Analog audio input |
| 2. LEFT loudspeaker port | 6. Optical audio input |
| 3. Line level signal output | 7. HDMI Audio Return Channel |
| 4. USB port | 8. Power supply port |



Use the loudspeaker ports 1 and 2 to plug the provided KZ1 loudspeakers only



Recording



USB Key



Audio Player



Audio Player

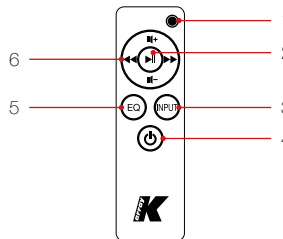
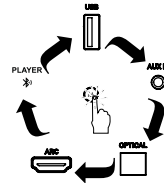
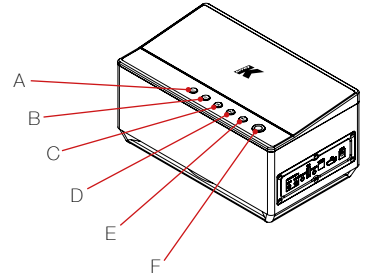


TV

Controls

The audio playback can be controlled by the top buttons and the remote control.

- A. Toggle equalization
- B. Toggle input source
- C. Skip song back
- D. Play/Pause audio
- E. Skip song forward
- F. Power switch

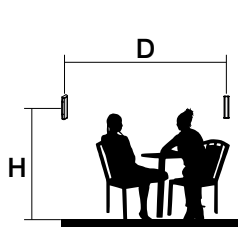


- 1. Status LED
- 2. Play/Pause audio
- 3. Toggle input source
- 4. Power switch
- 5. Toggle equalization
- 6. Multifunction ring:
LEFT: Skip song back
RIGHT: Skip song forward
TOP: Volume up
BOTTOM: Volume down



Setup

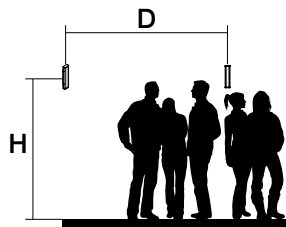
Find the proper installation height, aiming the loudspeaker at the listening position. We suggest the following configurations:



Sitting people

H: min height: table top
max height: 2,5 m (8¼ ft)

D: min distance: 1,5 m (5 ft)



Standing people

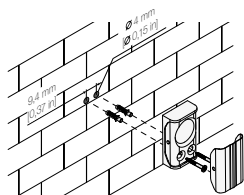
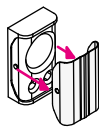
H: min height: table top
max height: 2,7 m (9 ft)

D: min distance: 2 m (6½ ft)

Installation

For permanent installation follow these operating instructions:

1. Before permanently affixing the loudspeaker to the surface, gently remove the outer grill;
2. Drill a 4 mm (0.15 in) diameter hole in the surface with a deep of at least 20 mm (0.80 in);
3. Set the wall plug in place and gently screw the loudspeaker to the surface;
4. Reposition the outer grill on the loudspeaker.



Service

To obtain service:

1. Please have the serial number(s) of the unit(s) available for reference.
2. Contact the official K-array distributor in your country: find the Distributors and Dealers list on [K-array website](#). Please describe the problem clearly and completely to the Customer Service.
3. You will be contacted back for online servicing.
4. If the problem cannot be resolved over the phone, you may be required to send the unit in for service. In this instance, you will be provided with an RA (Return Authorization) number which should be included on all shipping documents and correspondence regarding the repair. Shipping charges are the responsibility of the purchaser.

Any attempt to modify or replace components of the device will invalidate your warranty. Service must be performed by an authorized K-array service center.

Cleaning

Use only a soft, dry cloth to clean the housing. Do not use any solvents, chemicals, or cleaning solutions containing alcohol, ammonia, or abrasives. Do not use any sprays near the product or allow liquids to spill into any openings.

Technical Specifications

	K1
Type	3-channel Class D audio amplifier
Rated Power	LF: 1x 40W @ 4Ω HF: 2x 20W @ 4Ω
Frequency Response	20 Hz – 20 kHz (±1 dB)
Connectivity	3,5 mm jack stereo Aux input USB-A 2.0 SP/DIF optical HDMI Audio Return Channel Bluetooth 5.0 3,5 mm jack stereo LINE output
Control	IR Remote Control
Operating range	Dedicated AC/DC power adapter 100-240V ~ AC, 50-60 Hz input 19 V, 2A DC output
Colors and Finishes	Black
Material	ABS
Dimensions (WxHxD)	250 x 120 x 145 mm (9.8 x 4.7 x 5.7 in)
Weight	1,9 kg (2.2 lb)

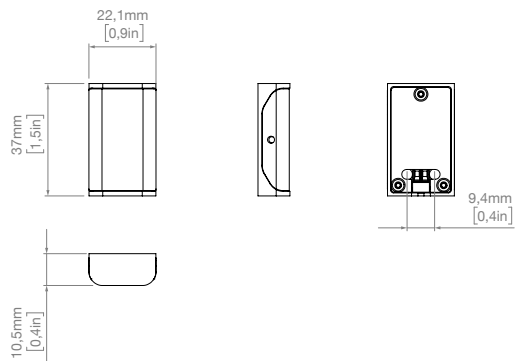
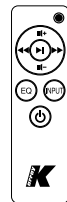
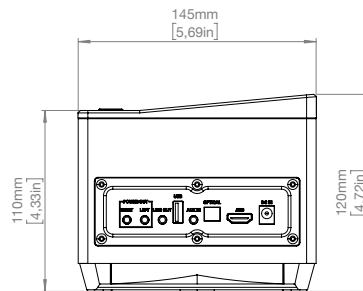
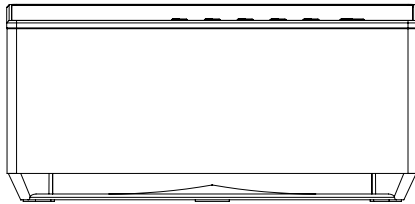
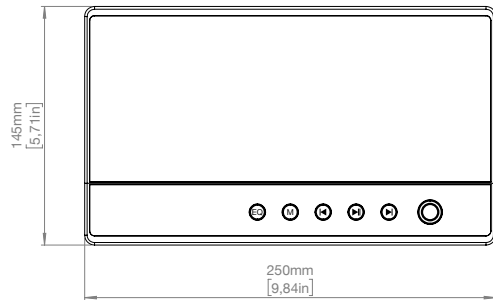
	Lyzard-KZ1
Type	Point source
Rated Power	3.5 W
Frequency Response	500 Hz – 18 kHz (-6 dB) ¹
Maximum SPL	86 dB (peak) ²
Coverage	V. 140° H. 140°
Transducers	0,5" neodymium magnet woofer
Colors	Black, white, custom RAL
Finishes	Polished stainless steel, 24K gold finishes
Material	Aluminum
Dimensions (WxHxD)	22 x 37 x 11 mm (0.9 x 1.5 x 0.4 in)
Weight	0.021 kg (0.046 lb)
IP Rating	IP64
Impedance	16 Ω

	K1 Subwoofer
Type	Point source
Rated Power	40 W
Frequency Response	54 Hz – 150 kHz (-6 dB) ¹
Maximum SPL	98 dB (peak) ²
Coverage	OMNI
Transducers	4" high excursion ferrite woofer

¹ With dedicated preset.

² Maximum SPL is calculated using a signal with crest factor 4 (12dB) measured at 1 m.

Mechanical Views





K-ARRAY surl
Via P. Romagnoli 17 | 50038 Scarperia e San Piero - Firenze - Italy
ph +39 055 84 87 222 | info@k-array.com

www.k-array.com